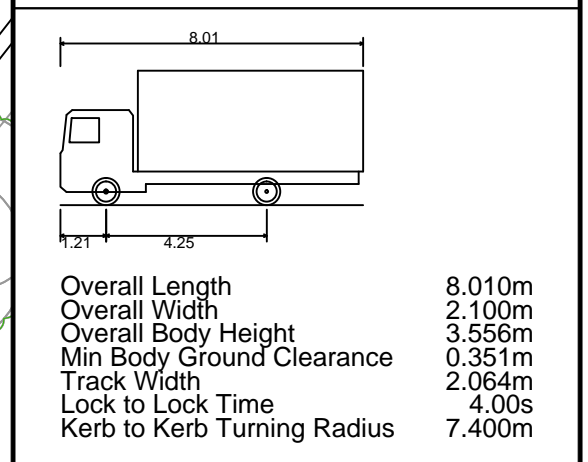


Rev	Details	Drawn	Checked	Date
A	Site layout updated.	DW	EC	04.12.2019
B	Site layout updated.	DW	EC	18.12.2019
C	Site layout updated.	DW	EC	12.02.2020
D	Site layout updated.	DW	EC	11.03.2020
E	Site layout updated.	DW	EC	01.04.2020

- NOTES:**
- Do not scale from this drawing.
  - This drawing to be read & printed in colour.
  - This drawing is for illustrative purposes only, and not for construction.
  - The internal layout has been provided by GDM Architects (received on 09.03.2020).

**7.5T BOX VAN**



	<b>FORWARD MOVEMENTS</b> (design speed - 5kph)
	<b>REVERSE MOVEMENTS</b> (design speed - 2.5kph)

Client  
...

Project  
**Freemen's Way, Deal**

Drawing Title  
**Vehicular Swept Paths Analysis  
using 7.5T Box Van**

Scale	<b>1:250</b>	Size	<b>A3</b>
Drawn	DW	05.11.2019	
Checked	EC	05.11.2019	



111 - 113 Great Portland Street  
London  
W1W 6QQ  
Tel. No. 0207 1000 753

Drawing Number	<b>2019-3502-TR04</b>	Rev	<b>E</b>
----------------	-----------------------	-----	----------