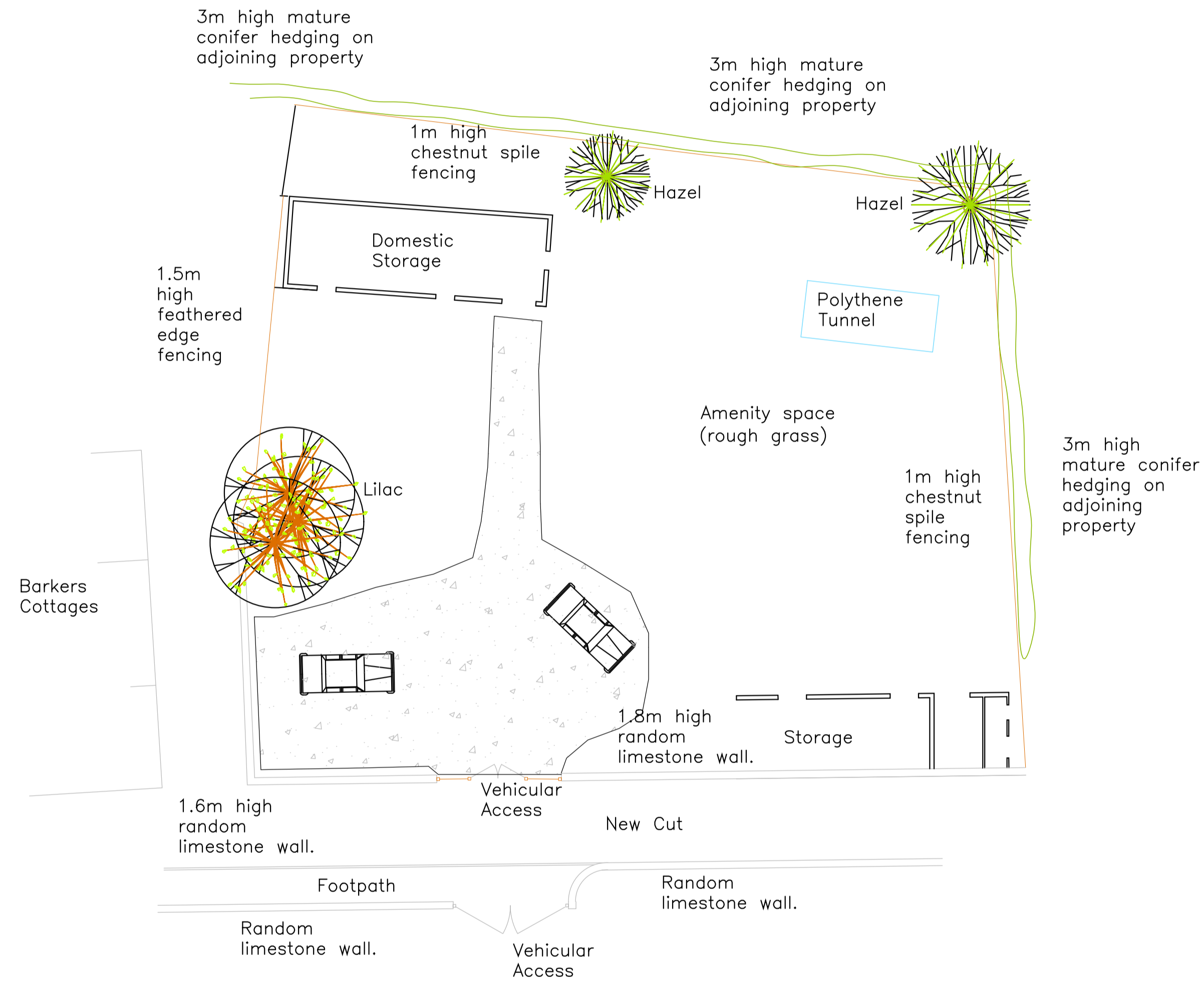
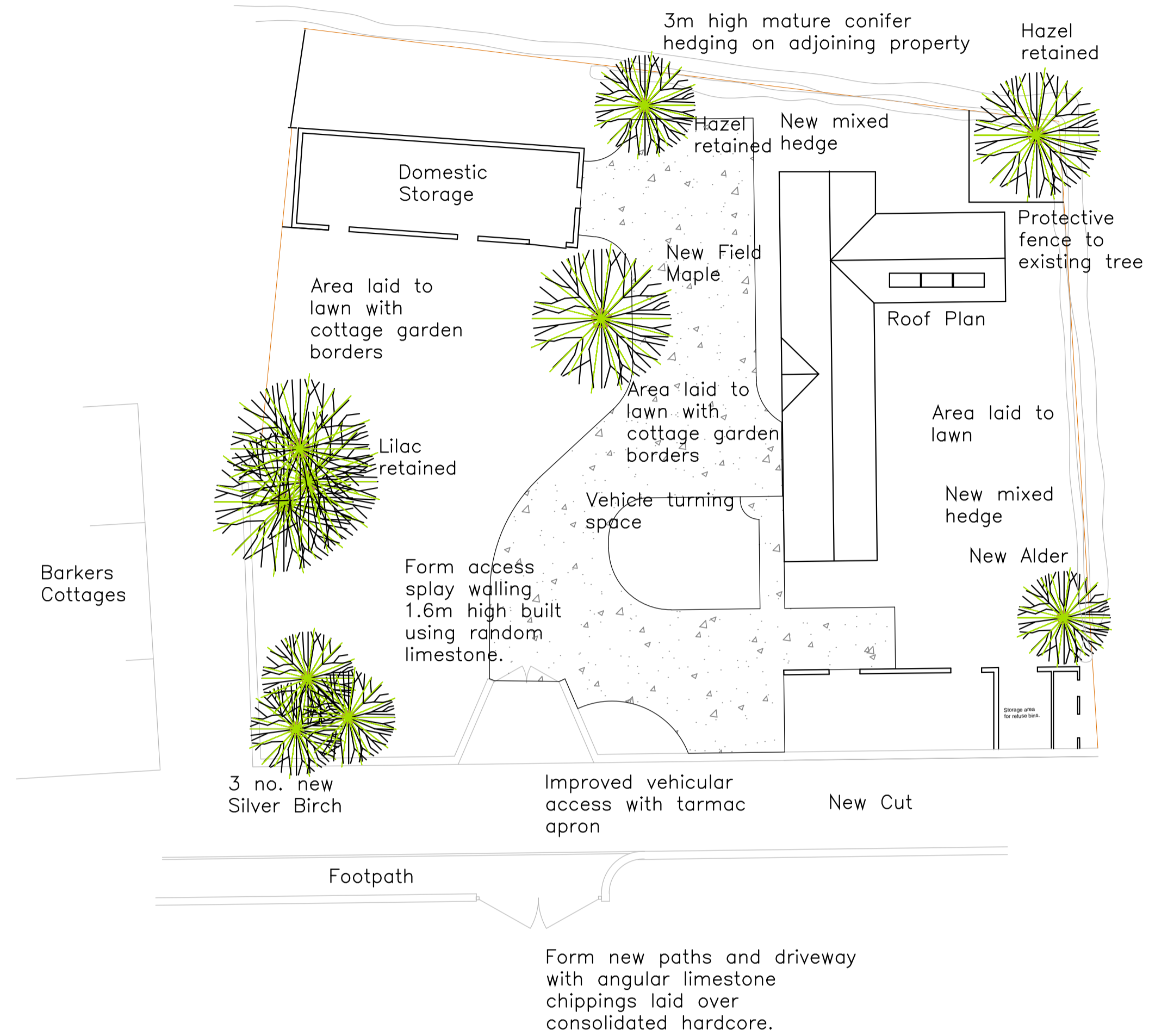


**AMENDED**

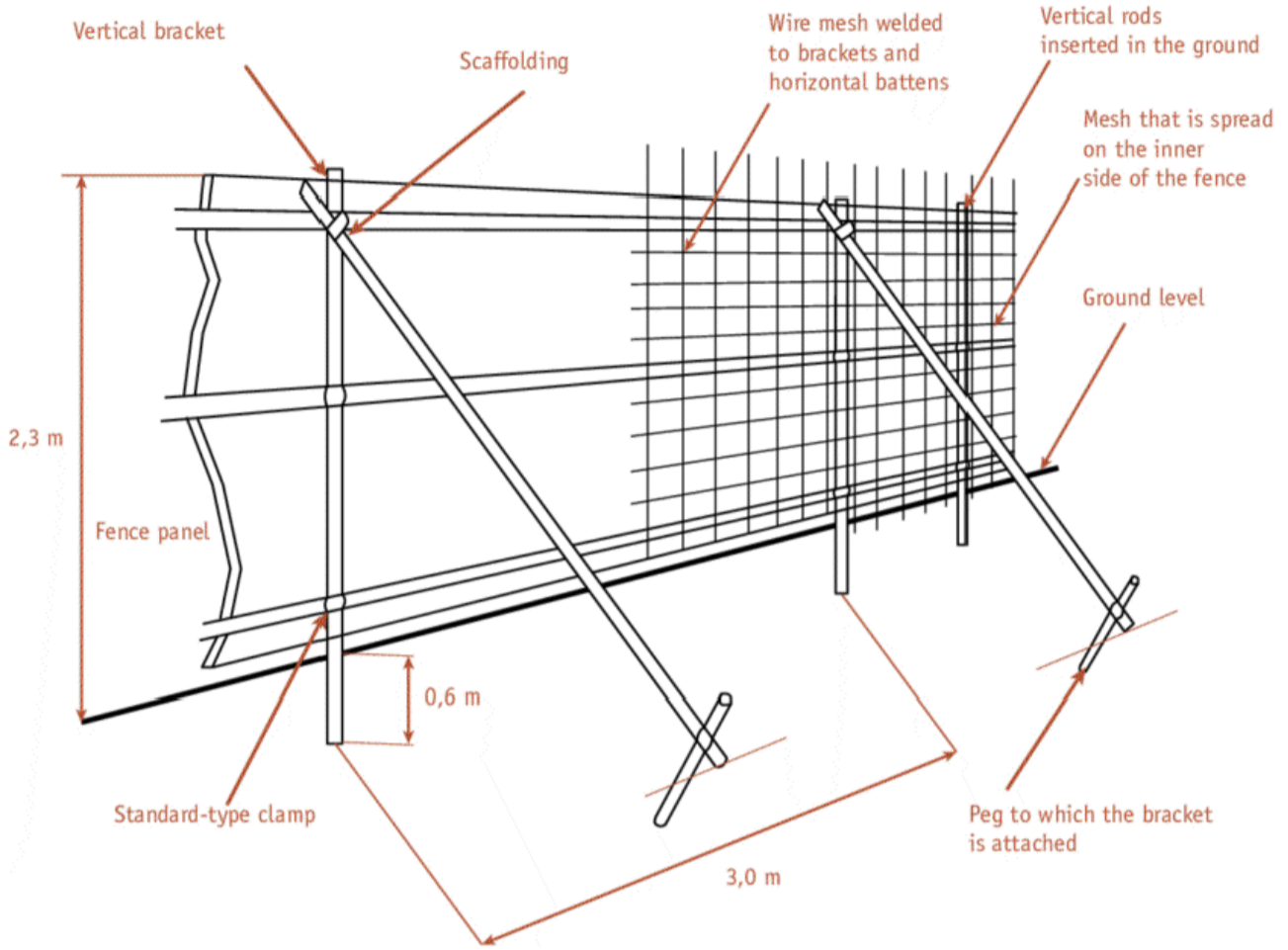
Scale Bar at 1:100  
 0 1m 2m 3m 4m 5m 6m 7m 8m 9m 10m  
 Scale Bar at 1:50  
 0 1m 2m 3m 4m 5m  
 Notes:  
 Do Not Scale  
 Report all discrepancies, errors and omissions.  
 Verify all dimensions on site before commencing any work on site or preparing other drawings.  
 All materials, components and workmanship are to comply with the relevant British Standards, Codes of Practice, and appropriate manufacturers recommendations that form part of this plan shall apply.  
 For all specialist work, see relevant specialist manufacturers drawings.  
 This drawing and design are copyright of Andrew Wells Architectural Planning & Design Ltd.



Existing Block Plan



Proposed Block Plan



Planting Schedule. (All as approved under approval number 18/501544/SUB)  
 Where new planting is shown plant mixed hedging.  
 Specified mixed hedging to be carried out using Hawthorn (*cralaegus monogyna*) 80%, Hazel (*corylus avellana*) 10% and Privet (*ligustrum*) 10%  
 The plants are to be 1200mm bare rooted and are to be planted in two staggered rows at 300mm apart. The plants are to be planted at 450mm c/s  
 For planting, a trench 1m wide is to be prepared. The ground is to be dug and cleared of weeds. Organic matter is to be dug into the bed to sustain the plants. The plants are to be planted, well heeled and well watered. The ground is then to be covered with a good organic mulch to prevent the ground from drying out. The plants should not be watered further as this tends to encourage shallow root systems. Only during long spells of drought should the plants be watered and then the ground should be soaked thoroughly.  
 Planting is to take place between October and March.  
 To protect the new planting from rodents and rabbits a 600mm high small mesh wire fence is to be erected to surround the new planted areas. The mesh is to extend into the soil a minimum of 300mm to prevent burrowing.  
 Care and future maintenance.  
 During the first five years, general weeding should be undertaken allowing moisture and nourishment to the plants rather than to weeds. During this period any diseased or damaged plants should be removed and replacement planting, like for like should be done to ensure the fullness of the hedging.

- Trees to be supplied Bare Root
- Field Maple (*Acer Campestre*) 06-08 cm girth (2.4-2.75m)
  - Silver Birch (*Betula Pendula*) 06-08 cm girth (2.4-2.75m)
  - Common Alder (*Alnus Glutinosa*) 06-08 cm girth (2.4-2.75m)

Rev.	Date	Detail
C	14.05.19	Driveway defined, tree protection added
B	01.04.19	Hedging specification amended
A	13.08.18	Roof plan amended, existing plan added

Rev.	Date	Detail
------	------	--------

Status: **Planning**

Client:

**A N D R E W W E L L S**  
 Architectural Planning & Design  
 1 Gilles Court, Chaucer Close  
 Medway City Estate, Rochester, Kent. ME2 4NR  
 Tel: 01634 786728 Mob: 07535 621806  
 e-mail: andy@wellsdesign.co.uk

Project Title: **Land Rear of Barkers Cottages  
 New Cut Road, East Farleigh**

Drawing Title: **External Finishes / Landscaping**

Scale	Date	Drawn
1:200	Jan. 2018	dh

Contract No.	Drawing No.	Rev.
	PL 444 15	C