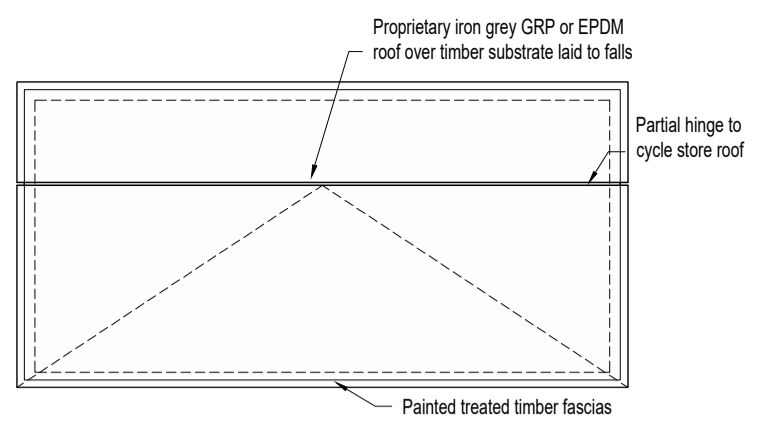
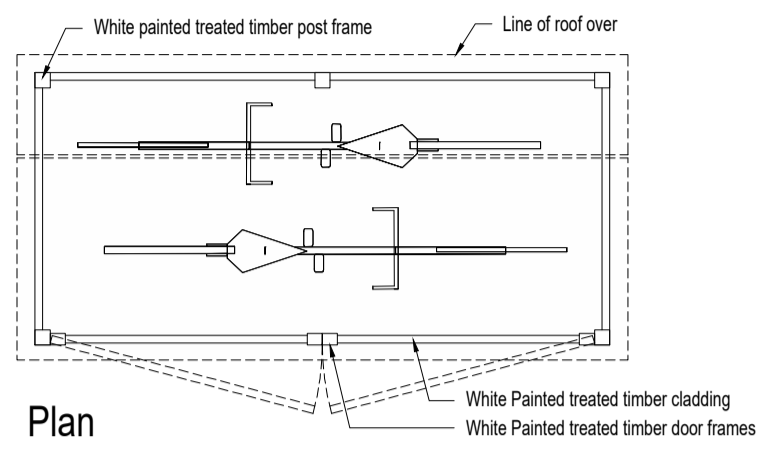


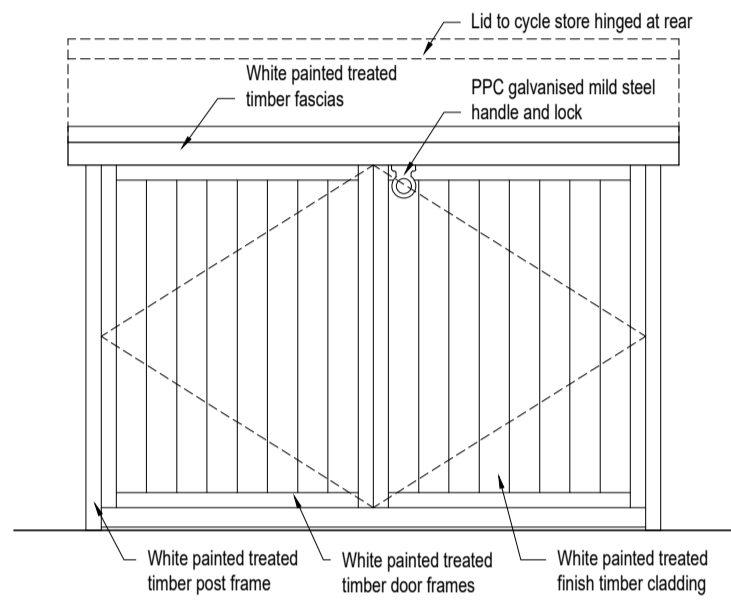
DO NOT SCALE FROM THIS DRAWING.
 Except for planning purposes. All dimensions must be verified by the main contractor before the commencement on site of any item of work or the preparation of shop drawings for their own work or that of sub-contractor or suppliers.
 This drawing is to be read in conjunction with all relevant documents. Any queries or discrepancies must be reported immediately to the architect.
 This document is copyright of Studio Hudson Ltd



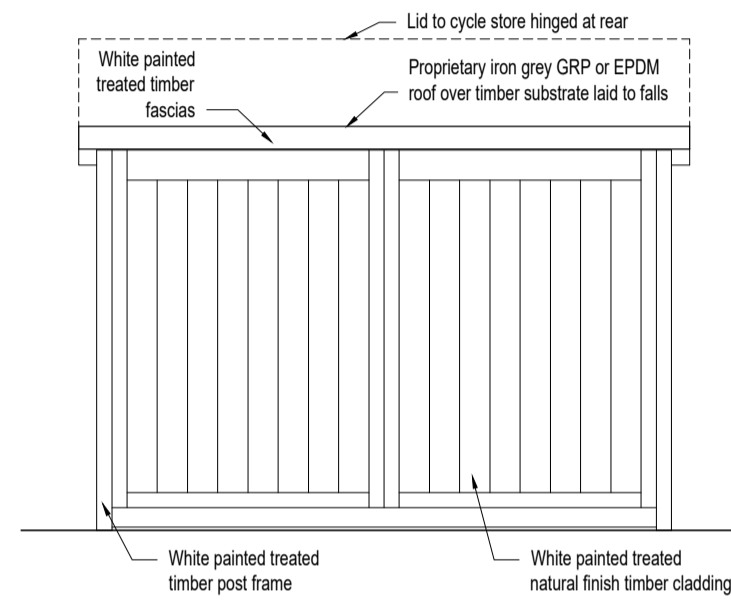
Roof Plan



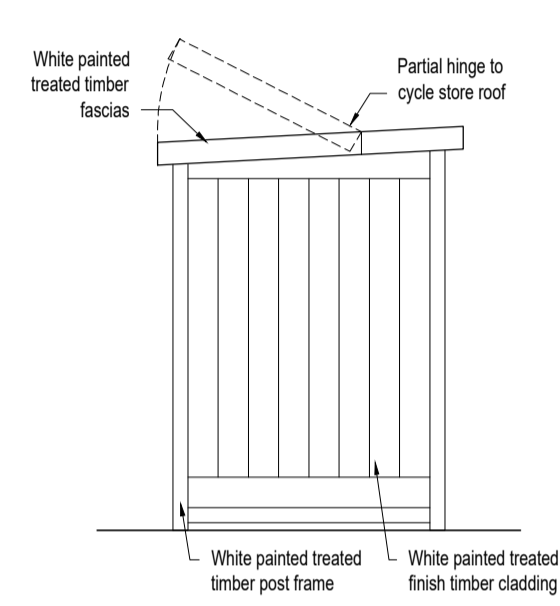
Plan



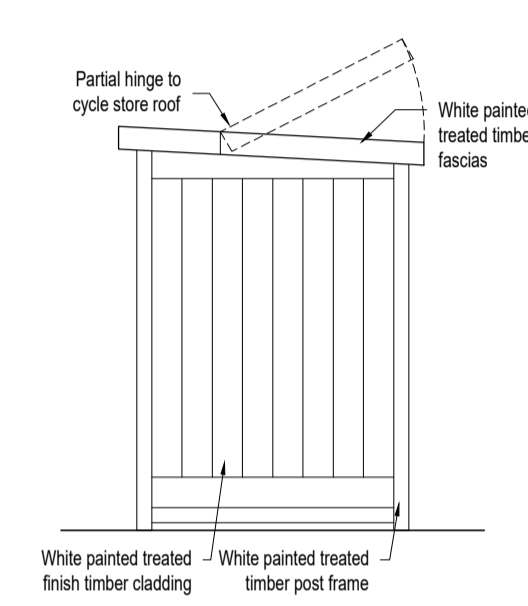
Front Elevation



Rear Elevation

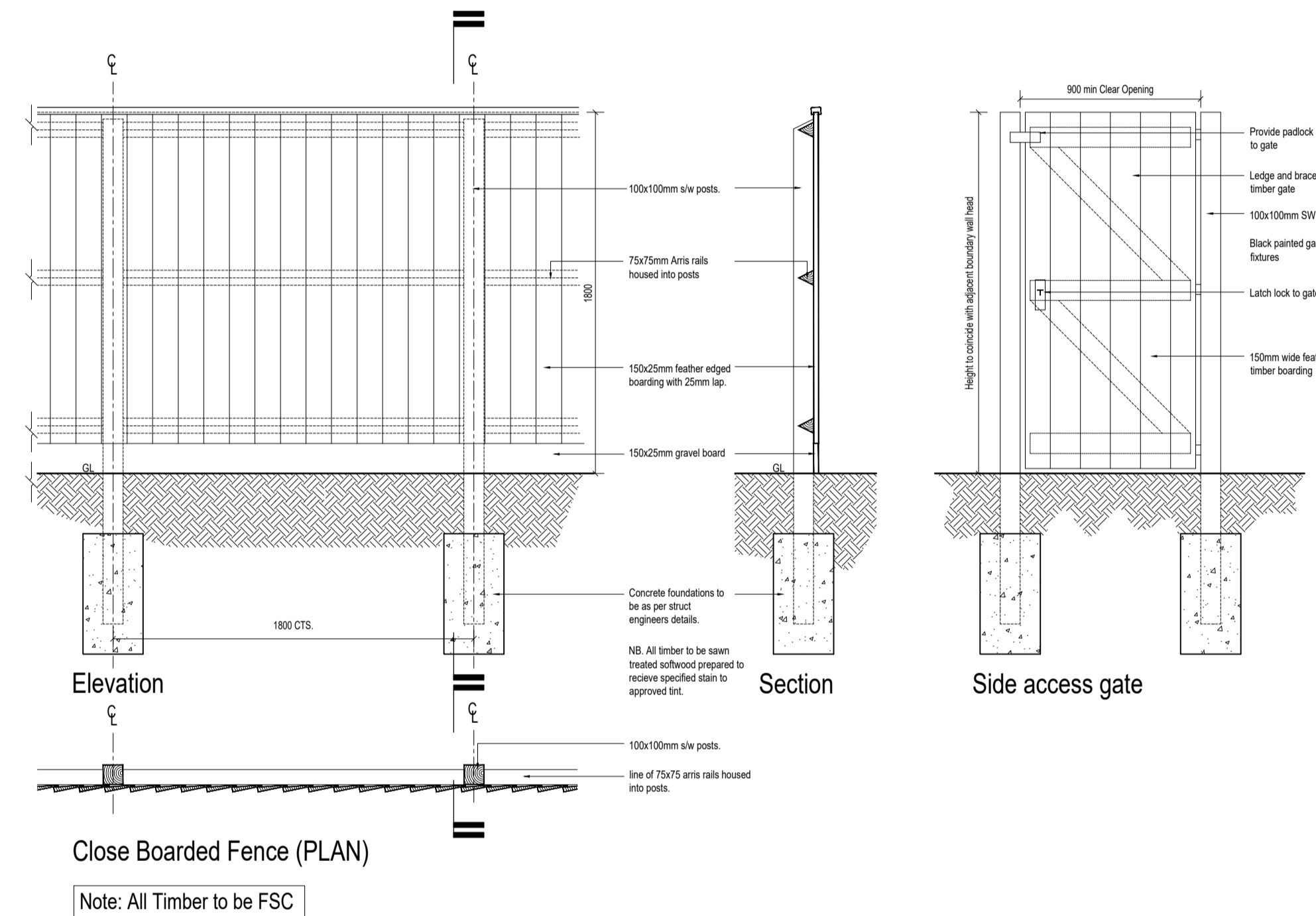


Side Elevation

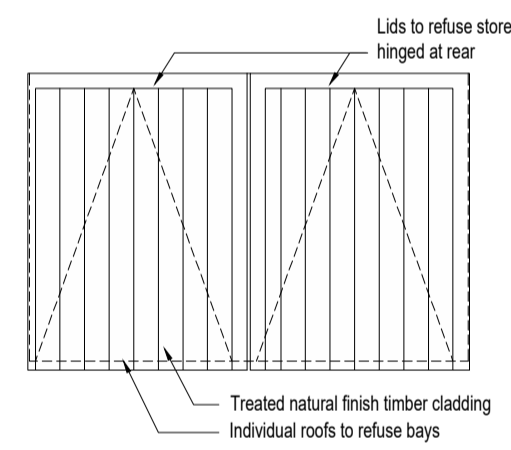


Side Elevation

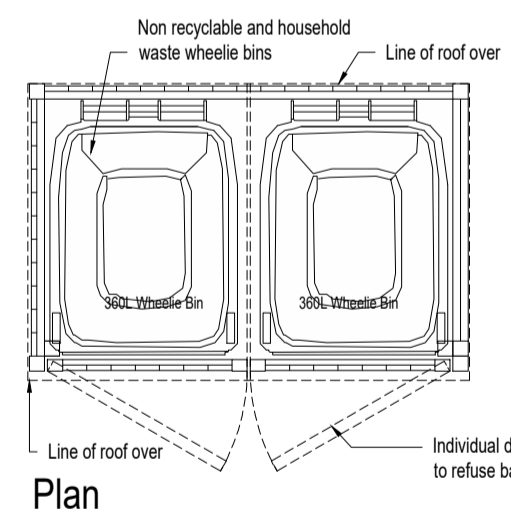
A DETAIL
 Proposed Proprietary Cycle Store SCALE 1: 25



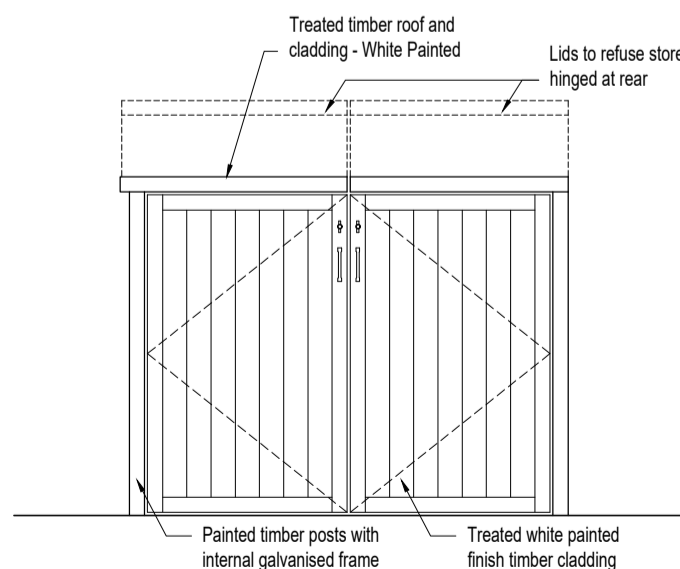
C DETAIL
 Proposed Close Boarded Fence / Access Gate SCALE 1: 25



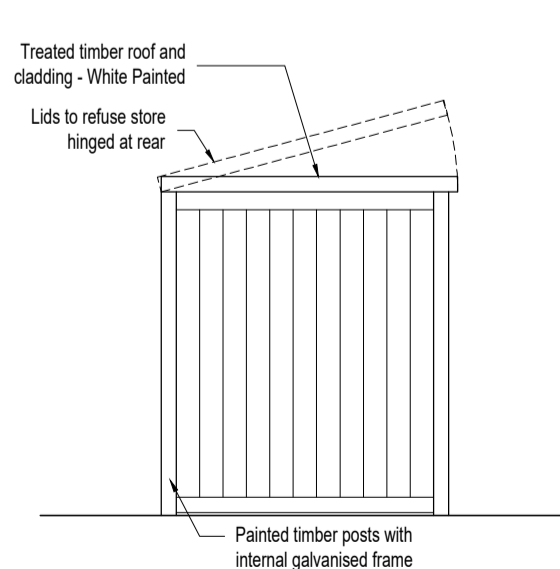
Roof Plan



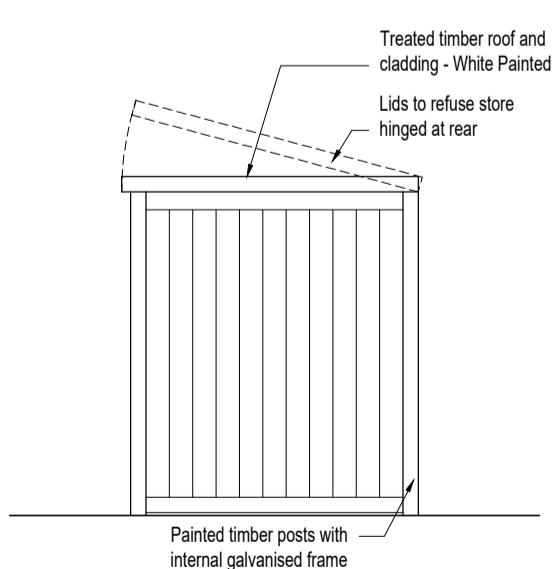
Plan



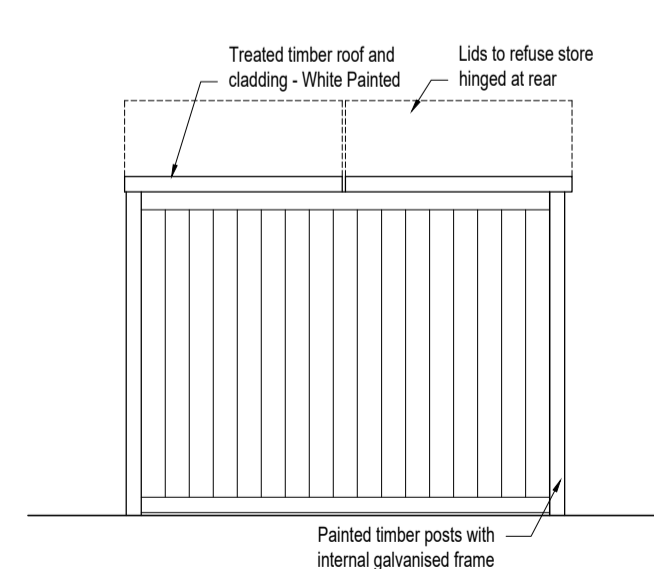
Front Elevation



Side Elevation



Side Elevation



Rear Elevation

NOTE:
 All timber to be FSC certified, Kiln dried and treated with proprietary preservative white paint coating

B DETAIL
 Proposed Proprietary Refuse Store SCALE 1: 25

SCALE 1:25 		For Planning Submission Purposes Issued for discussion November 2024	
STUDIO HUDSON architects Studio Hudson Ltd. - Wilman Road, Royal Tunbridge Wells, Kent. TN4 9AJ t: 01892 673 158 e: info@studio-hudson.co.uk www.studio-hudson.co.uk	Project: Landscape Services Depot Broad Lane Wilmington, Dartford. DA2 7AQ	Date:	Nov 2024
	Drawing Title: Proposed Details	Scale:	Noted @ A1
	Drawing Number: 2401-P-850	Rev:	-