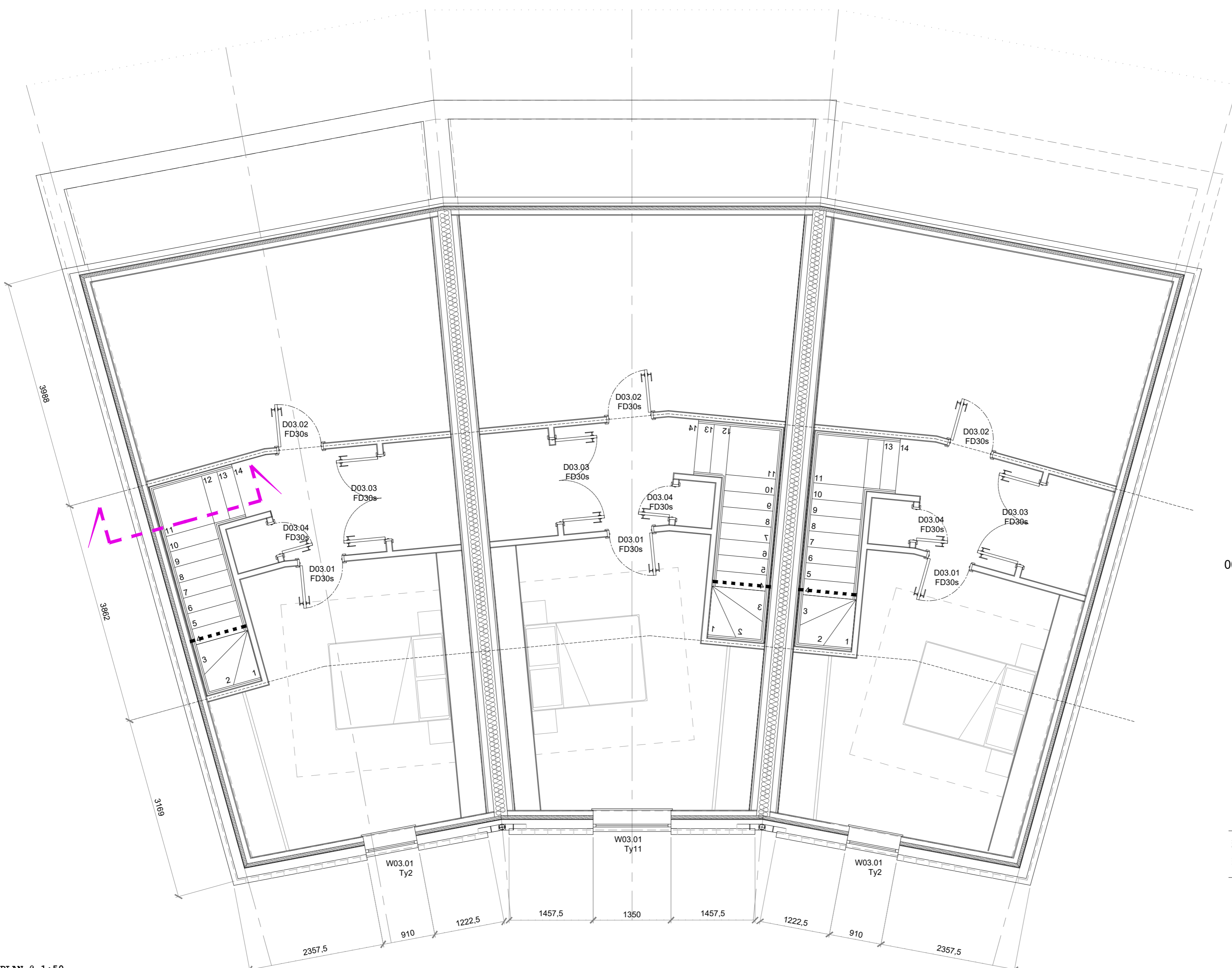
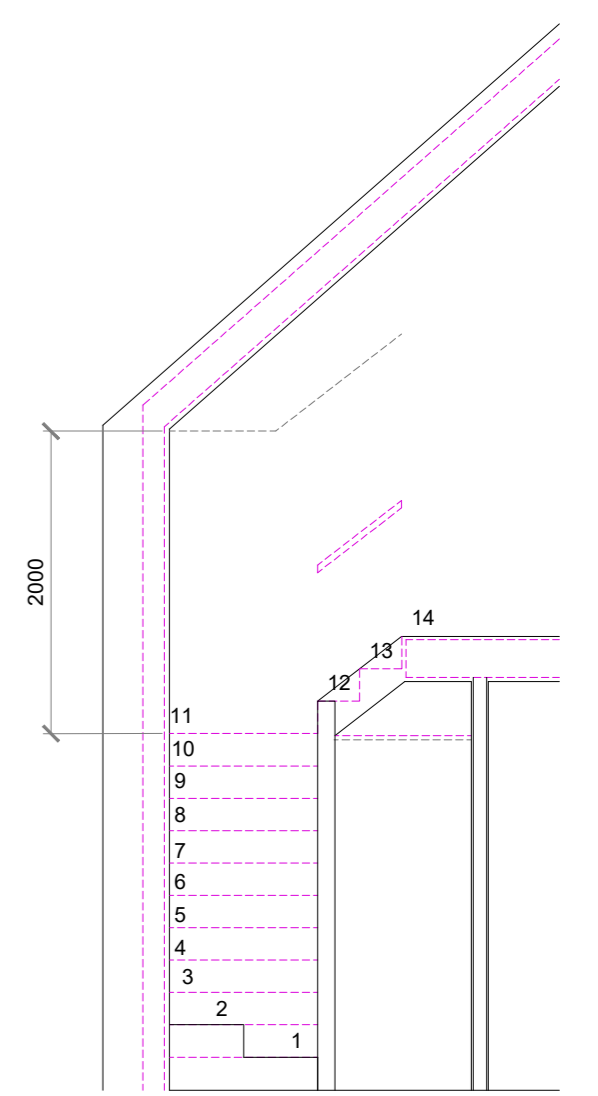


ROOF PLAN @ 1:50



THIRD FLOOR PLAN @ 1:50



00 For information 20.09.21 SS

Hollaway

London | 30a Acton Street | London | WC2H 9HG
 T +44 (0) 20 7096 5429 | E london@hollawaystudio.co.uk | www.hollawaystudio.co.uk
 Kent | The Tramway Studios | Ramport Road | Hythe | Kent | CT21 5BG
 T +44 (0)1323 260 513 | E kent@hollawaystudio.co.uk | www.hollawaystudio.co.uk

Project | Royal Victoria Hospital

Client | RVH Folkestone Ltd

Title | House Type 5 - GAs 3

Status | FOR INFORMATION

Scale | A1 | 1:50 Date | 15.09.21 Drawn | SS Chk'd | MP

Project Number Drawing Number Revision
 18.140-A-H5-100.002 00
 Bim Number

